

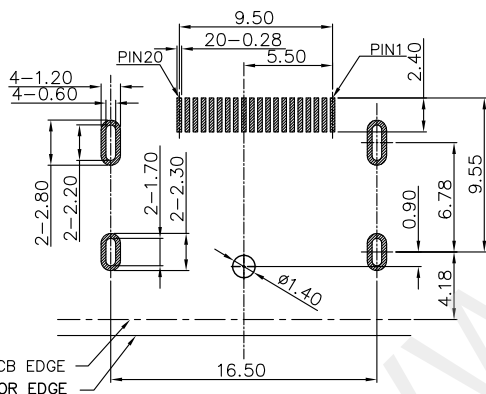
SECTION A-A

MATERIALS

1. HOUSING : LCP (UL94V-0), BLACK.
2. TERMINAL : COPPER ALLOY,
GOLD FLASH ON CONTACT AREA.
TIN PLATED ON SOLDER TAIL,
UNDER NICKEL PLATED.
3. SHELL : STAINLESS STEEL, NICKEL PLATED.

SPECIFICATION

1. CURRENT RATING : 0.5A. MAX.
2. DIELECTRIC WITHSTANDING VOLTAGE :
500V AC R.M.S. FOR ONE MINUTE.
3. INSULATION RESISTANCE : 100MΩ MIN. AT 500V DC.
4. CONTACT RESISTANCE : 30mΩ MAX.
5. OPERATING TEMPERATURE : -25°C TO +85°C.
6. DURABILITY : 10000 CYCLES.
7. MATING FORCE : 4.5kgf MAX.
8. UNMATING FORCE : 1.0kgf MIN.

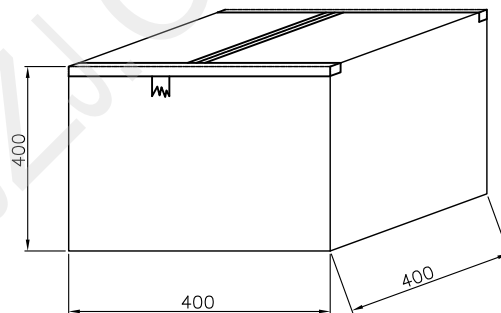
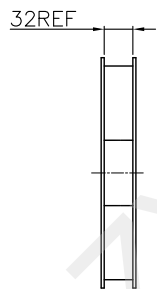
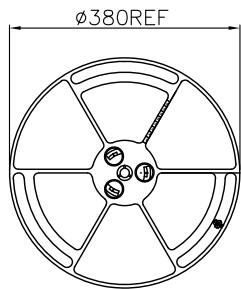
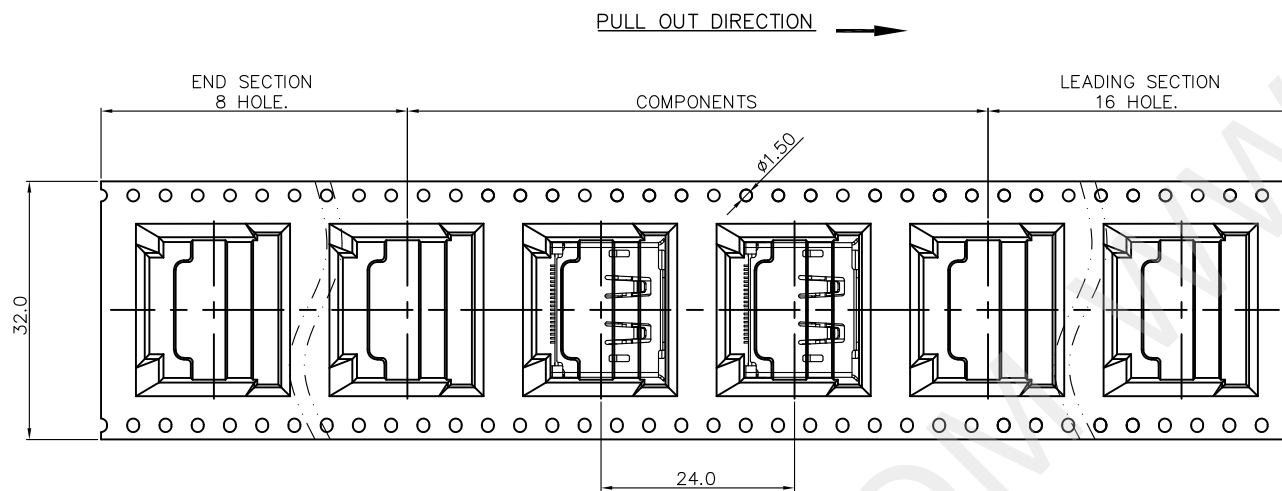


RECOMMEND PCB LAYOUT
TOLERANCE: ±0.05





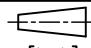
深圳市华宇创精密电子有限公司

TOLERANCE: X.X ±0.30 X.XX ±0.25 X.XXX ±0.15 X.* ±2* X.X* ±0.5*	DRAWN BY : 陈一鸣	DATE : 2014-02-23	PART NAME: DP 2.1 SMT 有弹带卡点
	CHECKED BY: 马跃	DATE : 2014-02-23	PART NO. HYC60-DP20-142 MOLD NO.
UNIT: mm [inch]	APPROVED BY: 邱敏	DATE : 2014-02-23	DRAW NO: HYC-2606161636 SHEET NO. 1 OF 1
SCALE: 1:1 SIZE: A4			



包装数量:

- 1. 350PCS / 盘
- 2. 10 盘 /箱(3500PCS /箱)

 深圳市华宇创精密电子有限公司			
TOLERANCE: X.X ±0.30 X.XX ±0.25 X.XXX ±0.15 X.' ±2' X.X' ±0.5'	DRAWN BY : 陈一鸣	DATE : 2014-02-23	PART NAME: 包装图
	CHECKED BY: 马跃	DATE : 2014-02-23	PART NO.
  UNIT: mm [inch] SCALE: 1:1 SIZE: A4	APPROVED BY: 邱敏	DATE : 2014-02-23	MOLD NO.
			DRAW NO:
			SHEET NO. 1 OF 1